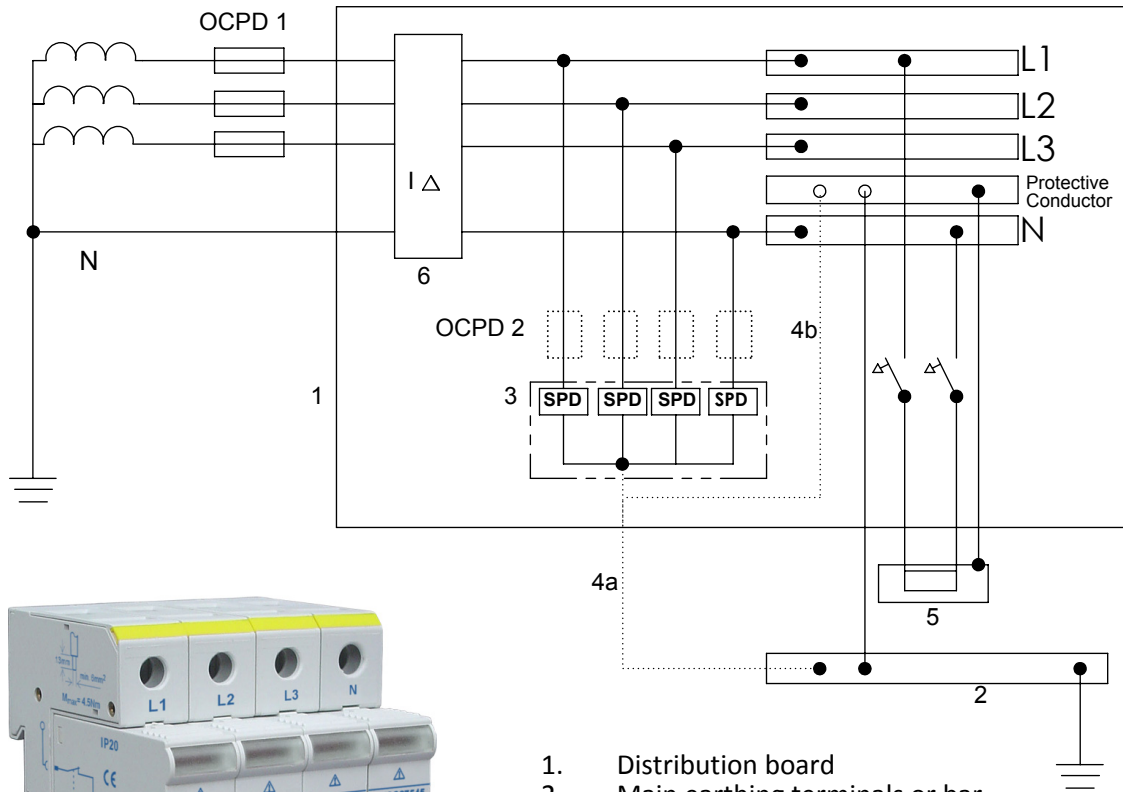


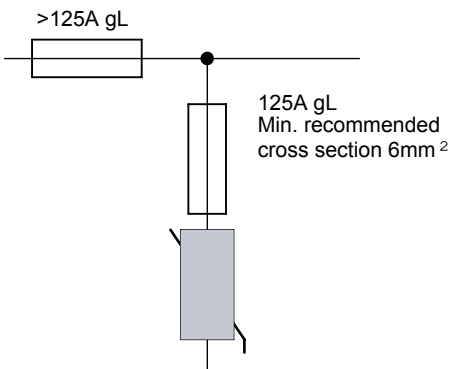
DVSC400454TNS Surge Protection Device recommended for use with TT systems, connection Type 1 (CT 1)  
 SPD connected to the load side of an RCD according to regulation 534.2.5(i)



**3 :**

1. Distribution board
2. Main earthing terminals or bar
3. Surge protective devices ensuring a protection level in accordance with overvoltage Category II
4. Earthing connection of surge protective devices, either 4a or 4b, whichever is the shorter route
5. Current-using equipment
6. Residual current protective device (RCD)

OCPD 1: Overcurrent protective device at the origin of the installation  
 OCPD 2: Overcurrent protective device



Type DVSC400454TNS		
In accordance with		IEC-61643-1
Max. continuous operating Voltage (AC/DC)	$U_c$	320/420V
Nominal discharge current (8/20) $I_n$	$I_n$	20kA per pole
Max. discharge current(8/20)	$I_{max}$	45kA per pole
Protection level	$U_p$	< 1.5kV
Follow current	$I_f$	NO
Response time	$t_A$	< 25ns
Residual current at $U_c$	$I_{PE}$	< 1.5mA
Thermal protection		Yes
Terminal Screw torque		max. 4.5Nm
Back up fuse (If mains > 125A)		125A gL
Short circuit withstand current		25kA/50Hz
Temperature range		-40°C .....+80°C
Terminal cross section		35mm <sup>2</sup> (solid)/25mm <sup>2</sup> (stranded)
Mounting EN60715		35mm top-hat rail
Degree of protection		IP20
Housing material		thermoplastic; extinguishing degree UL 94 V-0
Dimensions DIN 43880		4TE
Weight per unit		456g
Packaging dimension (single unit)		109x76.5x78mm