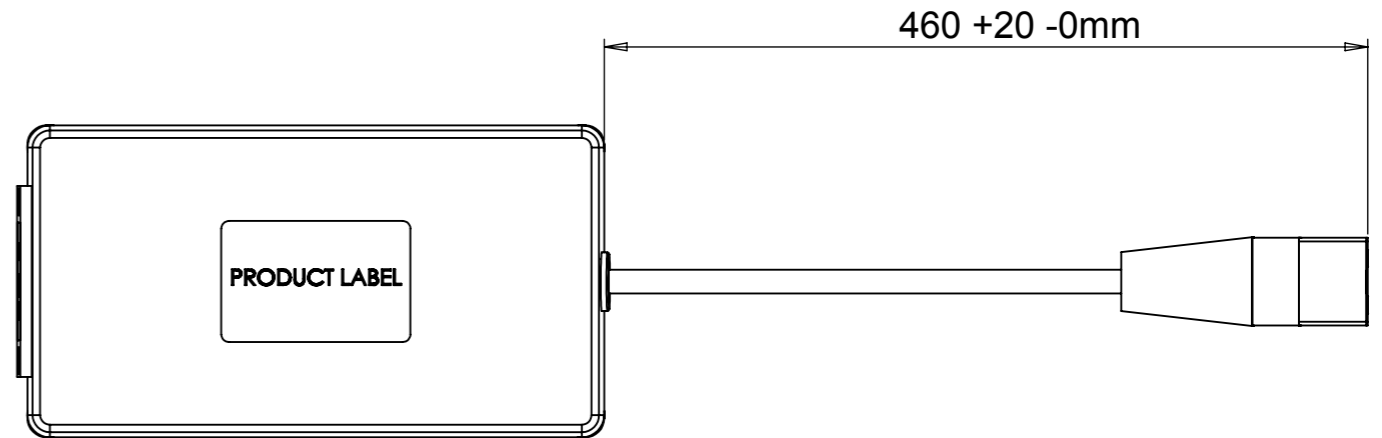
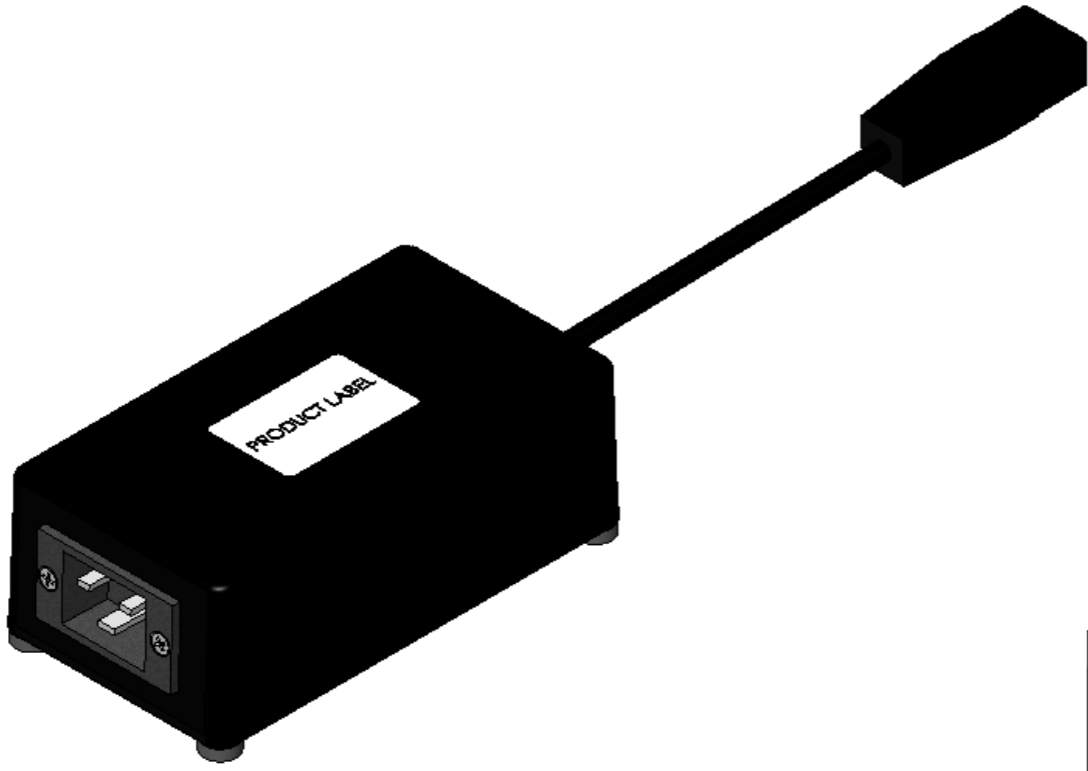


REV.	CNN	CNN DESCRIPTION	Date	Check in
02	-	-	03/04/2013	Shaun Barron
02	-	-	09/05/2013	Shaun Barron



PMF16
1P 240V 16A FILTER

voltage 1P 240V +10%
current 16A 40°C
frequency 50/60Hz
pollution II IP20
resistance 15.1 mR/ph
loss 8 W
overload 150% 1/10
scct 5kA
varistor 275V MOV L-N

altitude 1000m (3000m w/derating)
humidity 5-95% RH non-condensing
shock 15g 11mS
storage -40 to +70°C
vibration 5-55Hz 350um 55-500Hz 2G

earth leakage 0.4mA typ
ground bond 25A 50Hz
insulation resistance 100Vdc ≥100MR
residual voltage <60V@1s
voltage withstand 2.1kVdc

cooling air/resin ≥20mm gap
earthing through IEC60320 C19/20 connectors
enclosure FRABS UL 94-V0 Plastic
mass 0.7 kg
mounting rubber feet, 137x67mm
terminal IEC60320 C19 460mm lead, C20 plug

EU CE BS EN60939 BS EN60950

