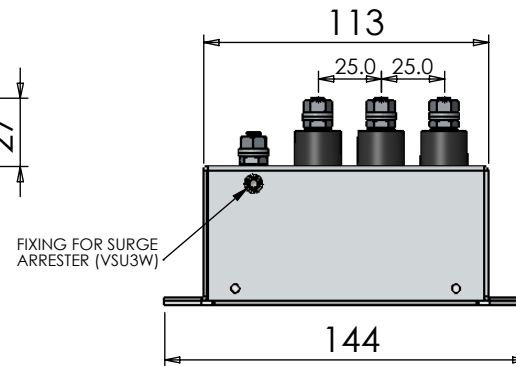
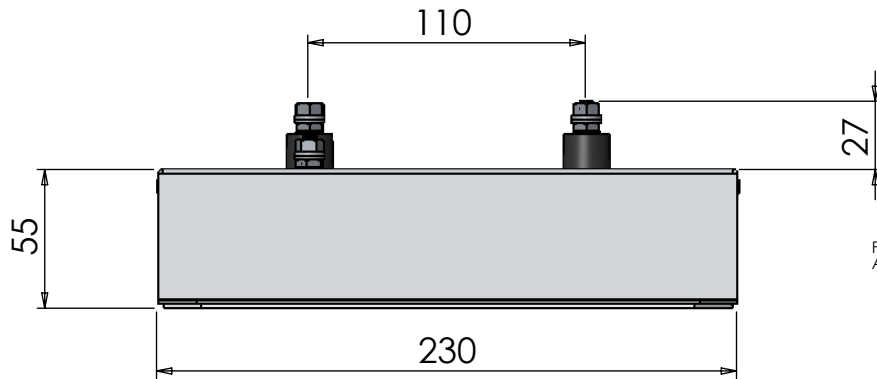
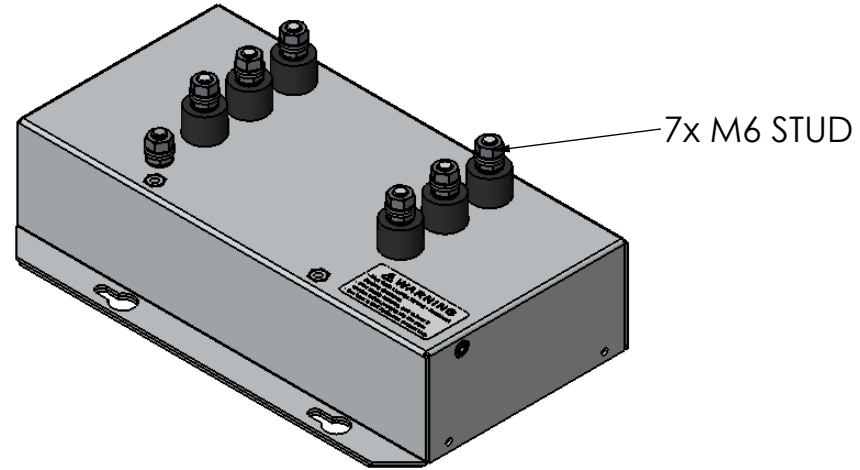
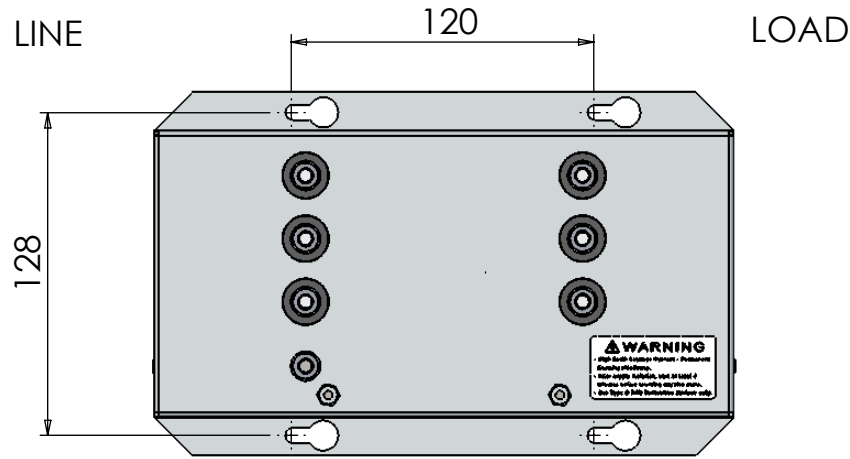


REV.	CNN	CNN DESCRIPTION	Date	Check in
08	2881	ADD TERMINAL TORQUE	10/08/2011	Shaun Barron
09	2881	ADD TERMINAL TORQUE	19/09/2011	Shaun Barron



RoHS
2002/95/EC
Compliant

ELECTRICAL SPECIFICATION

RATED VOLTAGE	480V
LINE FREQUENCY	50/60Hz
TEMPERATURE RANGE	-25 to 85 DegC
TEST VOLTAGE	L-L 1.0KV DC
TEST VOLTAGE	L-G 2.1KV DC
LEAKAGE CURRENT	138mA AT 250V 50Hz
WEIGHT	2.7Kg
TERMINAL TORQUE	4Nm MAX

PRODUCT RANGE

MINIMUM INSERTION LOSS AT 150 KHZ

TYPE	CURRENT I(RMS) @40°C	INDUCTANCE (L)	RESISTANCE (R) PER WINDING	COMMON MODE	DIFFERENTIAL MODE
MDF318	18A	3.2mH	10.6mR	87dB	29dB
MDF325	25A	2.1mH	57mR	83dB	25dB
MDF336	36A	0.90mH	2.4mR	77dB	19dB
MDF350	50A	1.8mH	1.8mR	72dB	15dB

Tel No. +44(0)1724 273200 Website www.dem-uk.com



PROPRIETARY AND CONFIDENTIAL
 THE INFORMATION CONTAINED IN THIS DRAWING IS THE SOLE PROPERTY OF ALPHA 3 MANUFACTURING.
 ANY REPRODUCTION IN PART OR AS A WHOLE WITHOUT THE WRITTEN PERMISSION OF ALPHA 3 MANUFACTURING IS PROHIBITED.

DEM
 DEM Manufacturing, Deltron Emcon House
 Hargreaves Way, Sawcliffe Ind. Park,
 Scunthorpe, North Lincolnshire, DN15 8RF, UK

UNLESS OTHERWISE SPECIFIED:
 DIMENSIONS ARE IN MILLIMETRES
 LINEAR TOLERANCE:
NO DECIMAL PLACES ±0.5mm
1 DECIMAL PLACE ±0.25mm
2 DECIMAL PLACES ±0.125mm
 ANGULAR TOLERANCE: ±1°

FINISH -
 DEBURR AND BREAK SHARP EDGES
 IF IN DOUBT ASK DO NOT SCALE DRAWING
 MATERIAL -

DRAWN BY SPB
 APPROVED BY SW
 THIRD ANGLE PROJECTION
 SHEET 1 OF 1
 SCALE 1:3
 A4

TITLE GENERAL SPECIFICATION
 3 WIRE M6 DRIVE FILTER
 DRAWING NO. MDF3XX
 ISSUE **09**
 Release