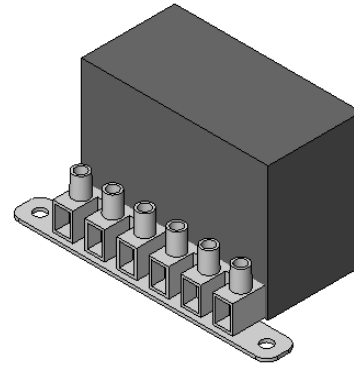
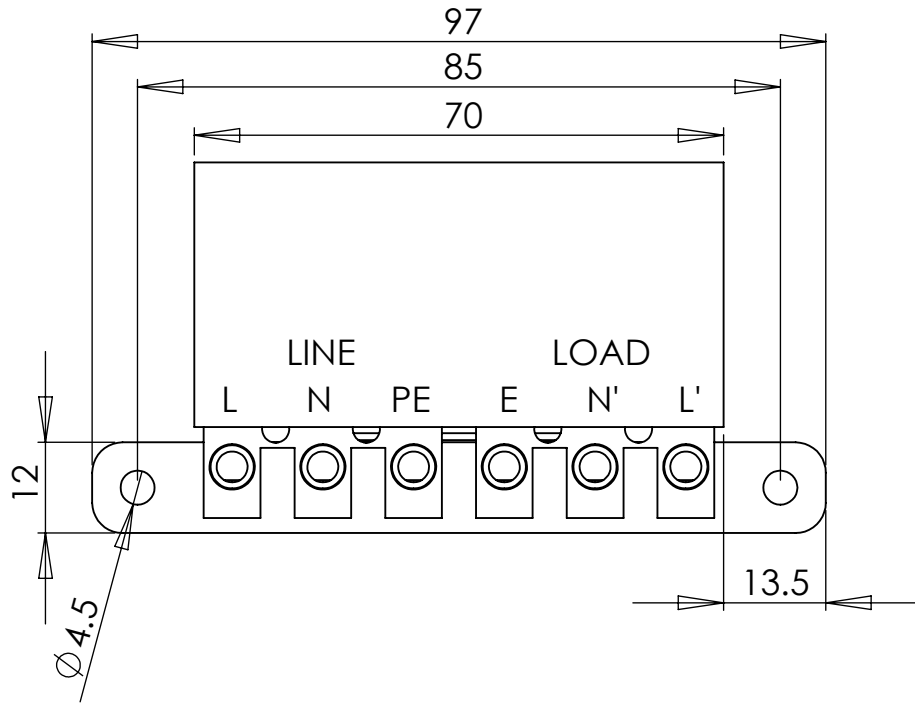
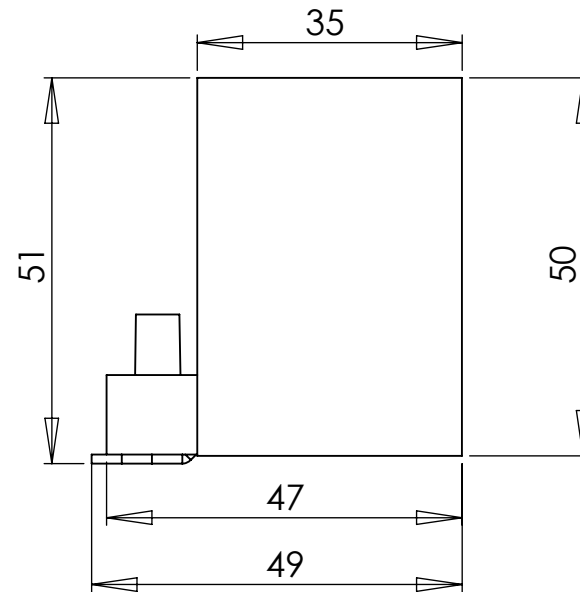
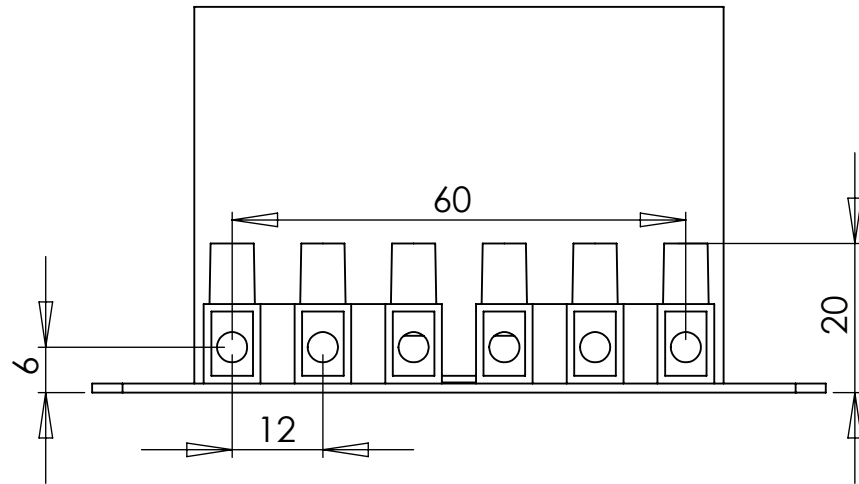


REV.	CNN	CNN DESCRIPTION	Date	Check in
02	-	BORDER CHANGE	21/01/2010	Shaun Barron
02	-	EDIT TEXT	25/01/2010	Shaun Barron



SPECIFICATIONS

VOLTAGE 250Vac
 FREQUENCY 50/60Hz
 CURRENT 6A @ 50°C
 TEMPERATURE -25 TO 85°C
 LEAKAGE CURRENT 3.4mA @ 230V 50Hz
 HUMIDITY 90% RH (NON-CONDENSING)
 VIBRATION 10-200Hz 1.8G
 ELECTRIC STRENGTH 2000 Vdc/1min.
 POWER DISSIPATION 1.7W
 MASS 220g
 TERMINALS 4sqmm TERMINAL BLOCK
 NYLON 6 UL94 V2
 EARTH TERMINALS- BONDED INTERNALLY AND
 BONDED TO MOUNTING PLATE
 FLANGE MOUNTING 2x M4



RoHS
2002/95/EC

Compliant

Tel No. +44(0)1724 273200 Website www.dem-uk.com

PROPRIETARY AND CONFIDENTIAL
 THE INFORMATION CONTAINED IN THIS DRAWING IS THE SOLE PROPERTY OF
 ALPHA 3 MANUFACTURING.
 ANY REPRODUCTION IN PART OR AS A WHOLE WITHOUT THE WRITTEN PERMISSION OF
 ALPHA 3 MANUFACTURING IS PROHIBITED.

UNLESS OTHERWISE SPECIFIED:
 DIMENSIONS ARE IN MILLIMETRES
 LINEAR TOLERANCE:
NO DECIMAL PLACES ±0.5mm
1 DECIMAL PLACE ±0.25mm
2 DECIMAL PLACES ±0.125mm
ANGULAR TOLERANCE: ±1°



DEM Manufacturing, Deltron Emcon House
 Hargreaves Way, Sawcliffe Ind. Park,
 Scunthorpe, North Lincolnshire, DN15 8RF, UK

FINISH -

DEBURR AND BREAK
 SHARP EDGES

DRAWN BY SPB

APPROVED BY SW

THIRD ANGLE PROJECTION



SHEET 1 OF 1

SCALE 1:1

A4

TITLE GENERAL SPECIFICATION
 2 PHASE 6A 250V
 LOW LEAKAGE FILTER

DRAWING NO. ABF06

ISSUE **02**
 Release