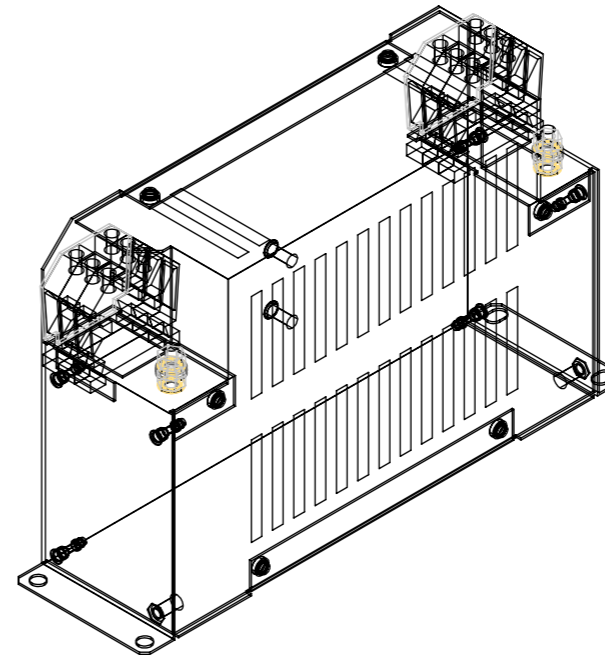
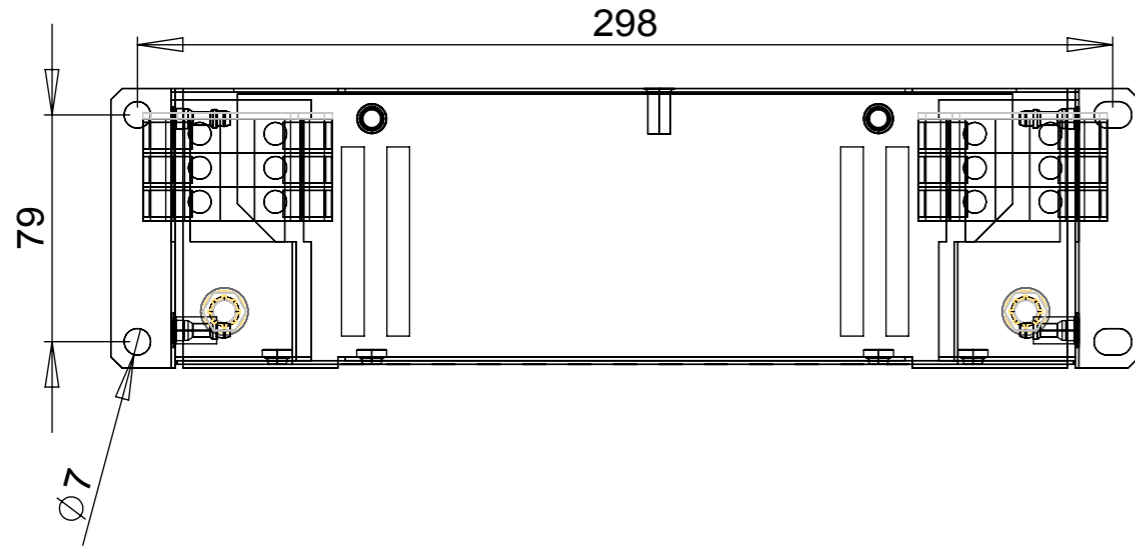
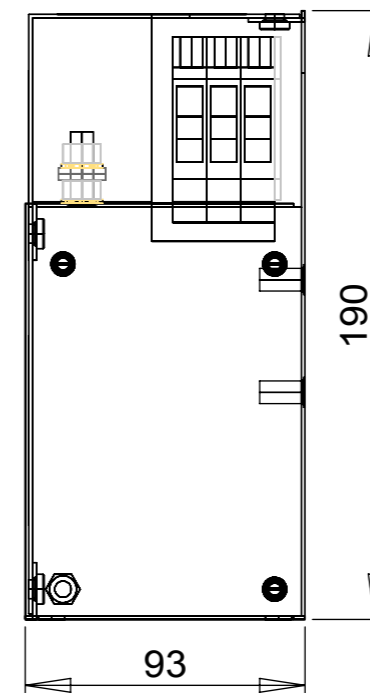
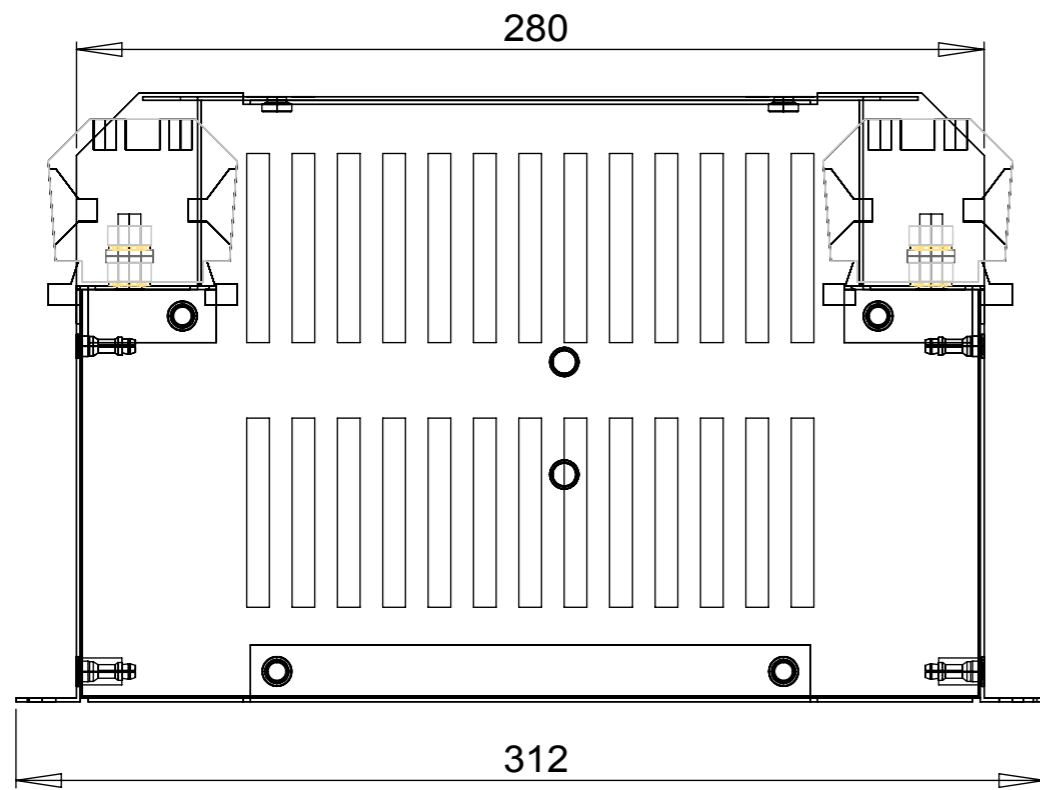


REV.	CNN	CNN DESCRIPTION	Date	Check in
02	-	RoHS missing	19/01/2010	Shaun Barron
02	-	RoHS missing	20/01/2010	Shaun Barron



### SPECIFICATIONS

VOLTAGE 500Vac  
 FREQUENCY 50/60Hz  
 CURRENT 50A @ 40°C  
 TEMPERATURE -25 TO 100°C  
 LEAKAGE CURRENT 114mA @ 500V 50Hz  
 HUMIDITY 90% RH (NON-CONDENSING)  
 VIBRATION 10-200Hz 1.8G  
 ELECTRIC STRENGTH 2500Vac/1min.  
 POWER DISSIPATION 16W  
 MASS 3.7kg  
 TERMINALS 50sqmm TERMINAL BLOCK  
 EARTH TERMINALS M8 STUD  
 FLANGE MOUNTING 4x M6



RoHS  
 2002/95/EC  
  
 Compliant

FINISH	-	DEBURR AND BREAK SHARP EDGES	DRAWN BY	NL	TITLE	GENERAL SPECIFICATION 3 PHASE 50A 500V INDUSTRIAL FILTER	
	-		APPROVED BY	NL			
			THIRD ANGLE PROJECTION		SHEET 1 OF 1	DRAWING NO.	KMF350A
			IF IN DOUBT ASK DO NOT SCALE DRAWING		SCALE 1:1	ISSUE	02
MATERIAL	-			A3			Release